

# Microcontrollers: A Comprehensive Overview and Comparative Analysis of Diverse Types

Muhammad Samiullah

Department of Electrical Engineering  
NUST, H-12, Islamabad  
mullah.bee21seecs@seecs.edu.pk

Muhammad Zohaib Irfan

Department of Electrical Engineering  
NUST, H-12, Islamabad  
mirfan.bee21seecs@seecs.edu.pk

Abid Rafique

Department of Electrical Engineering  
NUST, H-12, Islamabad  
arafique.seecs@seecs.edu.pk

**Abstract**—Microcontrollers are essential components of embedded systems that enable various applications in different domains. However, choosing the most suitable microcontroller for a specific project can be challenging, as there are many factors to consider, such as architecture, peripherals, development environment, and application areas. This study offers a detailed overview and comparison of five common microcontrollers: AVR, 8052, PIC, ESP32, and STM32. It examines each microcontroller in terms of its architecture, peripherals, development environment, and application areas. It also provides a comparison to highlight the main differences between these microcontrollers and help engineers choose the best microcontroller for their projects. This study is a useful resource for both beginners and experienced engineers, as it gives a comprehensive insight into the different microcontrollers available and their respective applications.

**Index Terms**—microcontroller, embedded system, architecture, AVR, PIC, 8052, ESP32, STM32

## INTRODUCTION

The advancements in microcontroller technology have brought about significant changes in the field of embedded systems. These microcontrollers, with their small size and low power consumption, have become essential in various applications ranging from consumer electronics to industrial automation. Among the numerous microcontroller families available, AVR, 8052, PIC, ESP32, and STM32 are some of the most widely used microcontrollers. Each of these microcontrollers has its own unique set of features and advantages, making them suitable for specific applications. Let us see each in detail.

### I. ESP32 MICROCONTROLLER

The ESP32 is a low-cost and low-power system on a chip series, created by Espressif Systems, that is designed for use in mobile, wearable electronics, and IoT applications. Its power-saving capabilities are especially useful in low-duty cycle IoT sensor hub scenarios. The ESP32 family includes the chips ESP32-D0WDQ6 (and ESP32-D0WD), ESP32-D2WD, ESP32-S0WD, and the system in package (SiP) ESP32-PICO-D4.

#### A. Architecture

The ESP32 microcontroller is based on the Xtensa® 32-bit LX6 microprocessor architecture. It has a 7-stage pipeline and a 16/24-bit instruction set that provides high code-density. It

also supports a Floating Point Unit and DSP instructions, such as a 32-bit multiplier, a 32-bit divider, and a 40-bit MAC. It is highly integrated with built-in antenna switches, RF balun, power amplifier, low-noise receive amplifier, filters, and power management modules. The chip also features 520 KB SRAM, 448 KB ROM, and 16 KB SRAM in RTC, as well as support for Wi-Fi and dual-mode Bluetooth capabilities. [1]

#### B. Peripherals

ESP32 has a wide range of peripherals to support various types of applications. It includes 34 GPIO pins that can be used for various purposes, such as digital input/output, PWM output, and interrupt handling. The chip also has support for capacitive touch sensors, which can be used for user input in applications such as touchscreens and keypads.

ESP32 also features a variety of communication interfaces, including SPI, I2C, I2S, UART, and CAN. These interfaces enable the chip to communicate with sensors, displays, and other microcontrollers. For audio applications, the chip supports I2S and PCM interfaces, which can be used to interface with external audio codecs, microphones, and speakers.

Moreover, ESP32 has built-in analog-to-digital converters (ADCs) and digital-to-analog converters (DACs) that can be used to interface with analog sensors and output devices. [2]

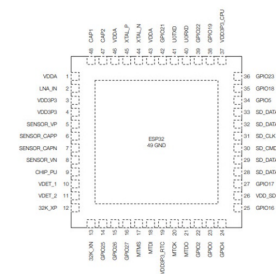


Fig. 1. ESP32 Pinout

#### C. Development Environment

ESP32 has a variety of development environments available, including the Arduino IDE, MicroPython, and the ESP-IDF (ESP32 IoT Development Framework).

The Arduino IDE provides an easy-to-use interface for programming ESP32 with the Arduino programming language.

MicroPython is a Python-based programming language and provides a more advanced programming environment than the Arduino IDE, with advanced features such as multi-tasking and networking. The ESP-IDF is the official development framework for ESP32, and provides a complete set of libraries and tools for developing applications on the chip. [3]

#### D. Application Area

ESP32 is a highly versatile microcontroller with a wide range of application areas. Some of the key application areas for ESP32 include:

- Internet of Things (IoT): ESP32 is specifically designed for use in IoT applications, with built-in Wi-Fi and Bluetooth capabilities.
- Robotics and Automation: ESP32 can be used in robotics and automation applications, such as controlling motors and sensors.
- Audio and Multimedia: ESP32 includes built-in support for audio processing, making it suitable for audio and multimedia applications.
- Environmental monitoring: ESP32 can be used to monitor environmental conditions such as temperature, humidity, and air quality.

## II. STM32 MICROCONTROLLER

STM32 is a family of 32-bit microcontrollers designed and manufactured by STMicroelectronics. The STM32 family includes a wide range of microcontrollers such as STM32L and STM32F series, with various memory sizes, interfaces, and peripherals. STM32 microcontrollers are known for their low power consumption, high performance, and ease of use, making them a popular choice for embedded systems development.

#### A. Architecture

STM32F030C6 is based on the ARM Cortex-M0 processor core. The Cortex-M0 core is a 32-bit processor that offers low power consumption, high code density, and efficient use of memory. The STM32F030C6 has 32KB flash memory, 4KB SRAM, and runs at a maximum clock speed of 48MHz. [4]

In addition to the processor core, the STM32F030C6 also includes a variety of on-chip peripherals, such as timers, communication interfaces, analog-to-digital converters (ADCs), digital-to-analog converters (DACs), and more. The STM32F030C6 also includes various power-saving features, such as low-power modes and clock gating, to help reduce power consumption. [5]

#### B. Peripherals

The STM32 microcontroller family features a wide range of peripherals, including multiple advanced timers and counters with various modes and functions, such as input capture, output compare, and PWM generation. It supports a variety of communication interfaces, including UART, SPI, I2C, USB, CAN, and Ethernet.

It has a range of analog peripherals, including ADCs (analog-to-digital converters), DACs (digital-to-analog converters), and op-amps (operational amplifiers). STM32 microcontrollers also include a variety of digital peripherals, including GPIOs (general-purpose input/output), RTCs (real-time clocks), and watchdog timers. [6]

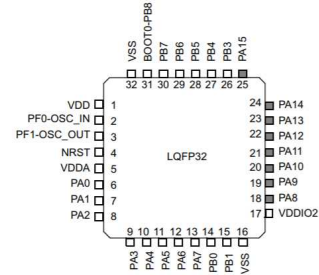


Fig. 2. STM32 Pinout

#### C. Development Environment

The development environment for STM32 microcontrollers typically involves using Integrated Development Environments (IDEs) such as Keil, IAR, or STM32CubeIDE.

STM32CubeIDE provides an all-in-one solution with features such as code generation, graphical configuration tools, and a debugger that allows users to debug on the hardware in real-time. STM32 microcontrollers also support development using open-source tools such as GCC, GDB, and Eclipse.

#### D. Application Area

The STM32F030C6 is widely used in various applications, including industrial automation, consumer electronics, smart homes, healthcare, and automotive systems. Its features such as low power consumption, high processing speed, and diverse peripherals make it suitable for a wide range of applications. It can be used in motor control, sensors, Human Machine Interface (HMI), USB, and other communication interfaces, audio and graphics applications, and more. The flexibility of the STM32F030C6 makes it an ideal choice for embedded system design.

## III. PIC MICROCONTROLLER

PIC stands for Peripheral Interface Controller, a family of microcontrollers developed by Microchip Technology. PIC microcontrollers are popular for their ease of use, wide range of available variants, and affordable price. The PIC family includes various series, such as PIC10, PIC12, PIC16, and PIC18, each with different capabilities and applications.

#### A. Architecture

PIC 16F877A is based on an efficient 8-bit RISC architecture with pipelining capabilities, making it a versatile choice for embedded systems. With its 14-bit instruction word length, it supports around 35 instructions, enabling a wide range of operations including arithmetic, logic, data transfer, and I/O.

The microcontroller offers 368 bytes of General Purpose Registers for data storage, 8 KB of Flash memory for program storage, and 256 bytes of EEPROM for non-volatile data. With its 40-pin DIP package, it provides ample I/O pins for interfacing with other components. [7]

### B. Peripherals

PIC 16F877A microcontroller consists of many peripherals that augment its functionality and enable seamless integration with various components. With 33 GPIO pins, it offers versatile digital communication and interfacing capabilities. The microcontroller supports interrupt functionality, while its USART facilitates seamless serial communication using protocols such as UART, SPI, and I2C.

It features a 10-bit Analog-to-Digital Converter (ADC) with eight channels for precise analog signal measurement. Additional peripherals include timers, pulse-width modulation (PWM) modules, and parallel ports, providing features like accurate timing, generation of analog-like signals, and interfacing with parallel devices. . [8]

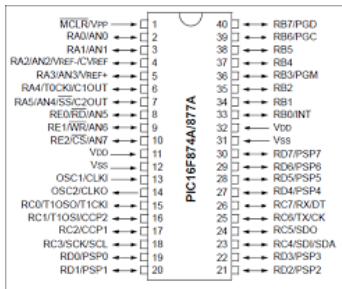


Fig. 3. PIC 16F877A Pinout

### C. Development Environment

The development environment for the PIC 16F877A microcontroller provides a range of powerful tools and resources for efficient software development. Popular IDEs like MPLAB X IDE, MikroC PRO for PIC, and CCS C Compiler offer comprehensive platforms with user-friendly interfaces, syntax highlighting, and debugging capabilities. Programming interfaces like ICSP and UART simplify the programming process, allowing for in-circuit programming and serial communication. The microcontroller is commonly programmed using C or assembly language, with C offering libraries and built-in functions for rapid development and assembly language providing low-level control.

### D. Application Area

PIC16f877a has a wide range of application areas some of them are:

- Robotics and robotic control: The microcontroller can do a precise control and coordination of robot movements and functions.
- Power management and energy monitoring: The microcontroller facilitates efficient power management and monitoring of energy consumption.

- Instrumentation and data acquisition: The microcontroller is employed in measuring and acquiring data from sensors and instruments for analysis and control.

## IV. 8052 MICROCONTROLLER

The 8052 microcontroller is a member of the MCS-51 family of microcontrollers developed by Intel in the 1980s. The 8052 microcontroller has been widely used in various applications, including embedded systems, industrial control, and consumer electronics. Its popularity has led to the development of many derivative microcontrollers that are still widely used today.

### A. Architecture

The 80C52 microcontroller follows an 8-bit Harvard architecture with separate ROM and RAM. It utilizes a 12 MHz 8051-compatible CPU with pipelining for improved instruction execution. The microcontroller features an 8KB on-chip Flash memory for program storage and 256 bytes of on-chip RAM for data storage. It supports expansion through external memory and incorporates various peripherals, such as I/O ports and timers/counters. The microcontroller is available in different package options, including a 40-pin DIP or PLCC. [9]

### B. Peripherals

80C52 boasts a comprehensive array of peripherals. It incorporates GPIO pins, typically 32 or more, offering flexible digital I/O capabilities. It integrates interrupt functionality, timers, and I/O operations. The presence of USART modules supporting multiple protocols such as UART and SPI, enables interfacing with peripherals and external systems. It also features support for a diverse range of sensors, including temperature sensors, accelerometers, and pressure sensors. It also includes ADCs with configurable channels and resolution. Other supplementary peripherals includes counters, PWM modules, I2C interfaces, and SPI ports, further enhancing its capabilities and broadening its compatibility with external devices. [10]

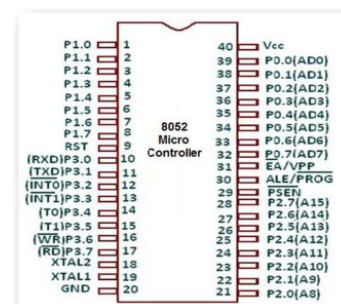


Fig. 4. 8052 Pinout

### C. Development Environment

A range of sophisticated IDEs such as Keil uVision, SDCC, and IAR Embedded Workbench are available, facilitating seamless coding, debugging, and testing of applications. Programming interfaces like In-System Programming (ISP) and In-Circuit Emulators (ICE) via JTAG or proprietary connections enable efficient code transfer to the microcontroller's Flash memory. The microcontroller supports programming in C and assembly language. Developers benefit from libraries containing tailored functions for GPIO control, serial communication, timers/counters, streamlining development and reducing time-to-market.

### D. Application Area

The diverse applications of the 80C552 microcontroller demonstrate its adaptability and suitability for a wide range of fields, some applications are:

- **Industrial Automation:** 80C552 can provide precise control and monitoring of manufacturing processes and machinery due to robust architecture and peripheral support.
- **Consumer Electronics:** 80C552 is employed in various consumer electronic devices such as smart home devices, multimedia systems, and home appliances.
- **Automotive Systems:** 80C552 microcontroller is used in automotive applications for engine management, vehicle diagnostics, safety features, and infotainment systems.

## V. ATMEGA16A MICROCONTROLLER

ATmega16A is a microcontroller from the AVR family, developed by Atmel Corporation. It is an 8-bit RISC architecture microcontroller that offers a high level of integration and low power consumption. It is suitable for a wide range of applications in industrial, automotive, and consumer electronics. The ATmega16A is popular among hobbyists, students, and professionals for its versatility and ease of use.

### A. Architecture

Atmega16a is based on the enhanced Harvard architecture, featuring a 16-bit Instruction Set Architecture (ISA). It offers 1 kilobyte (1024 bytes) of static random-access memory (RAM) for data storage and manipulation. The microcontroller includes 16 kilobytes (16384 bytes) of read-only memory (ROM) to store program instructions. Atmega16a microcontroller operates with a clock frequency ranging from 0 to 16 megahertz (MHz), providing precise timing for its operations. It has an internal oscillator and can also be connected to an external crystal oscillator for more accurate clocking. With 40 pins, it provides ample input/output ports for connecting external components and peripherals. The Atmega16a supports a wide range of instructions, including arithmetic, logical, and control operations, allowing for versatile programming capabilities. Its pipelining technique enhances instruction execution efficiency, enabling faster processing speeds. [11]

### B. Peripherals

Atmega16a encompasses 32 highly configurable general-purpose input/output (GPIO) pins, facilitating interfacing with external components. Its USART module enables versatile serial communication, incorporating UART and SPI protocols for data transfer and peripheral integration. With up to 8 channels of 10-bit resolution ADC, precise analog signal conversion is achievable, ideal for capturing data from sensors. The microcontroller features three timers/counters: Timer/Counter0 (8-bit), Timer/Counter1 (16-bit), and Timer/Counter2 (8-bit). These timers/counters provide precise timing and counting capabilities and support various operating modes such as Normal, CTC, Fast PWM, and Phase Correct PWM. Interrupt functionality is supported for timers/counters, external interrupts, and USART interrupts, allowing for prompt response to external events through interrupt service routines. Atmega16a also includes input capture functionality, enabling the capture of specific values of external signals at desired moments. [12]

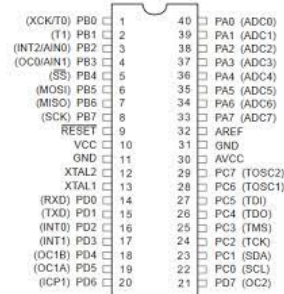


Fig. 5. Atmega16 Pinout

### C. Development Environment

Atmega16a provides developers with a rich and diverse development environment. It supports various Integrated Development Environments (IDEs), including Atmel Studio and AVR-GCC, which offer intuitive interfaces for efficient coding. For programming the microcontroller, interfaces such as the In-System Programmer (ISP) and Serial Peripheral Interface (SPI) are available. The microcontroller supports high-level languages like C/C++ and low-level assembly language. In terms of libraries, developers can leverage AVR-LibC, a comprehensive library with a wide range of pre-written functions and macros specifically designed for Atmel AVR microcontrollers.

### D. Application Area

The Atmega16a has a wide range of application areas such as embedded systems and IoT applications. It enables seamless interfacing with a wide range of external components and sensors. The microcontroller allows for smooth integration with other devices, facilitating efficient communication and collaboration. It is particularly suitable for applications in robotics, automation, and control systems. The Atmega16a's low power consumption makes it an excellent choice for battery-powered devices and portable electronics.

## CONCLUSION

In conclusion, each of the AVR, 8052, PIC, ESP32, and STM32 microcontroller families has its own unique features and advantages.

- AVR is ideal for applications requiring low power consumption, high performance with wide range of peripherals.
- 8052 is a popular choice for simple embedded systems due to its simplicity, ease of use, and low cost.
- PIC offers a wide range of peripherals, making it suitable for a variety of applications.
- ESP32 is a versatile microcontroller with integrated Wi-Fi and Bluetooth connectivity, making it ideal for IoT applications.
- STM32 offers a high level of integration, high performance, and a wide range of peripherals, making it suitable for complex applications.

## ACKNOWLEDGMENT

We extend my heartfelt gratitude to Dr. Abid Rafique for his unwavering support and mentorship. His expertise and guidance were invaluable in shaping this review paper.

We also acknowledge the National University of Sciences and Technology (NUST) for providing the essential resources and conducive academic environment for this research. AI tools significantly enhanced the research process. We also appreciate the contributions of my colleagues and friends who engaged in insightful discussions, enhancing the depth of this study.

## REFERENCES

- [1] Espressif Systems. (n.d.). ESP32 Hardware Design Guidelines.
- [2] Espressif Systems. (n.d.). ESP32 Series Datasheet.
- [3] Espressif Systems. (n.d.). ESP-IDF Programming Guide.
- [4] Mukhopadhyay, P., & Hossain, M. A. (2019). A review of ARM Cortex-M based STM32 microcontrollers.
- [5] Niu, Y., & Cao, J. (2020). Research on development of remote monitoring system based on STM32. *Journal of Physics: Conference Series*, 1568(1), 012046.
- [6] Mukhopadhyay, P., & Hossain, M. A. (2019). A review of ARM Cortex-M based STM32 microcontrollers. *Journal of Electrical and Computer Engineering Innovations*, 7(1), 38-45.
- [7] Microchip Technology. (2021). PIC Microcontrollers.
- [8] Mazidi, M. A., Mazidi, J. G., & McKinlay, R. D. (2007). *The PIC microcontroller and embedded systems: using assembly and C for PIC18*. Pearson Education.
- [9] Ayala, M. D. (2010). *The 8051 microcontroller*. Cengage Learning.
- [10] Han-Way Huang. (2018). *The 8051/8052 Microcontroller: Architecture, Assembly Language, and Hardware Interfacing*. Cengage Learning.
- [11] Atmel Corporation. (2008). *Atmel AVR Microcontroller Primer: Programming and Interfacing*. Prentice Hall.
- [12] Han-Way Huang. (2014). *The AVR Microcontroller and Embedded Systems: Using Assembly and C for ARM Cortex-M3*. Cengage Learning.