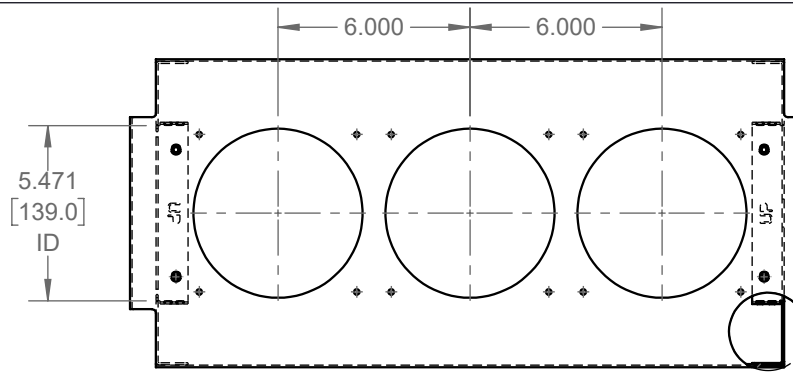
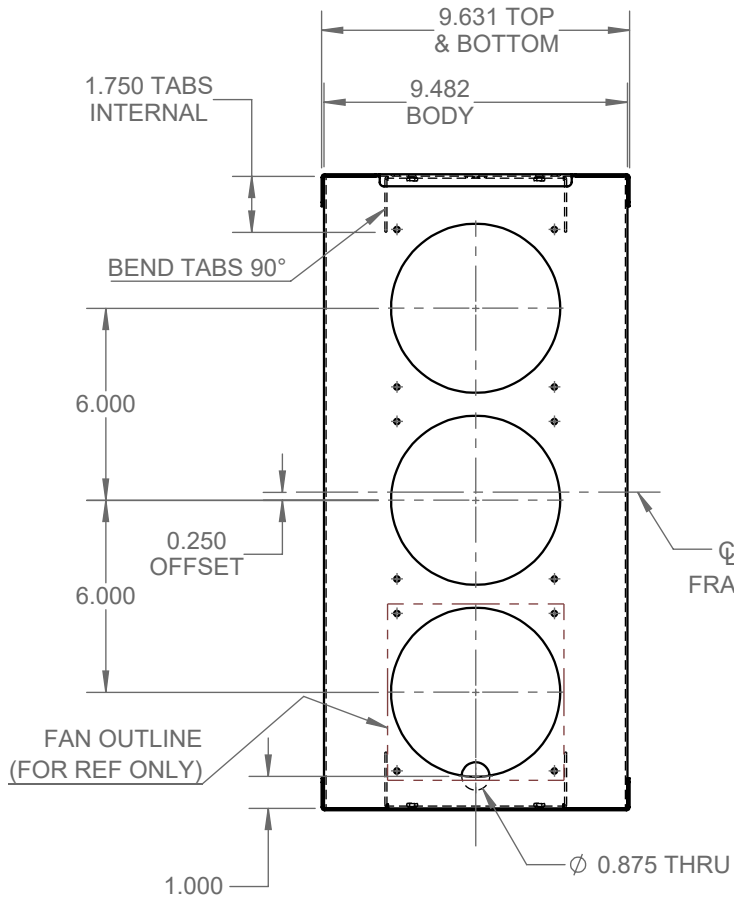


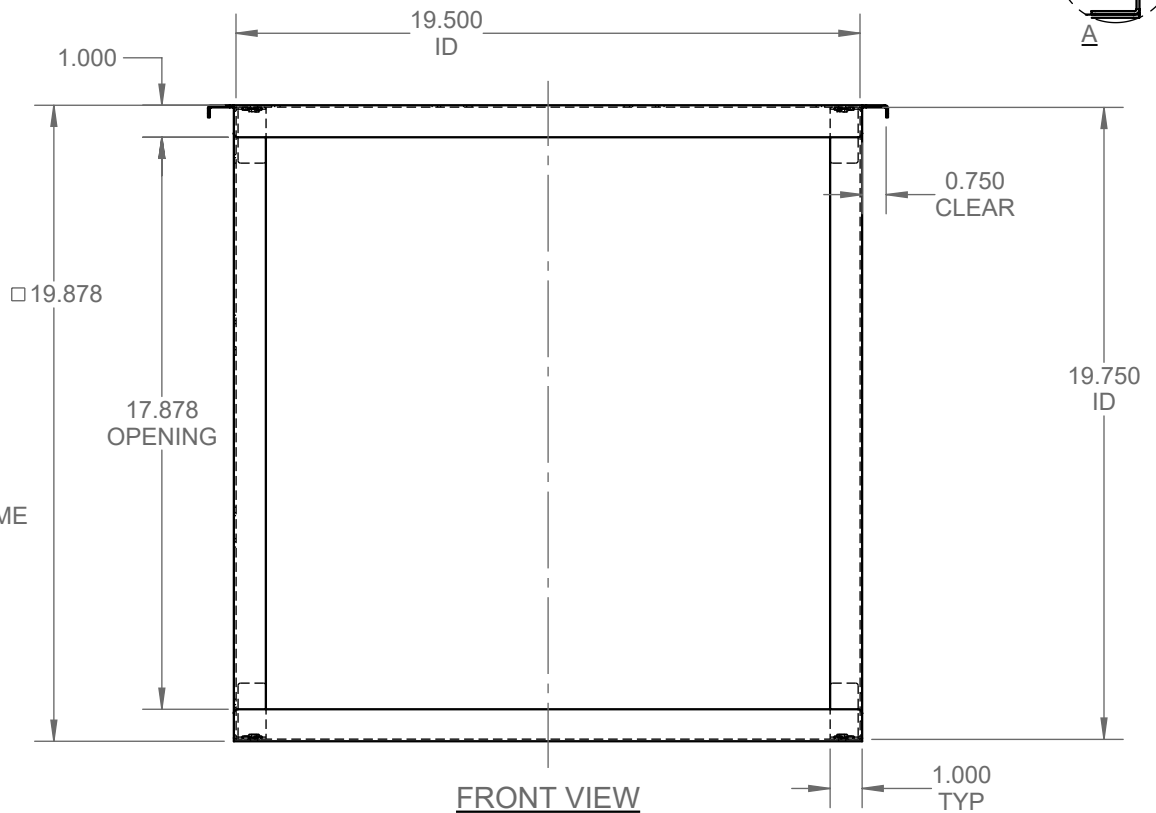
**MOUNTING HOLE  
DETAIL**



**TOP VIEW**



**SIDE VIEW**



**FRONT VIEW**

NOTES:  
1. ALL DIMENSIONS IN INCHES

02	"UP" STENCIL; DOT PEEN REMOVED, HOLE IS 7/8" WAS 1/2"	02/02/24	a.torres
REV	REVISION DESCRIPTION	DATE	BY

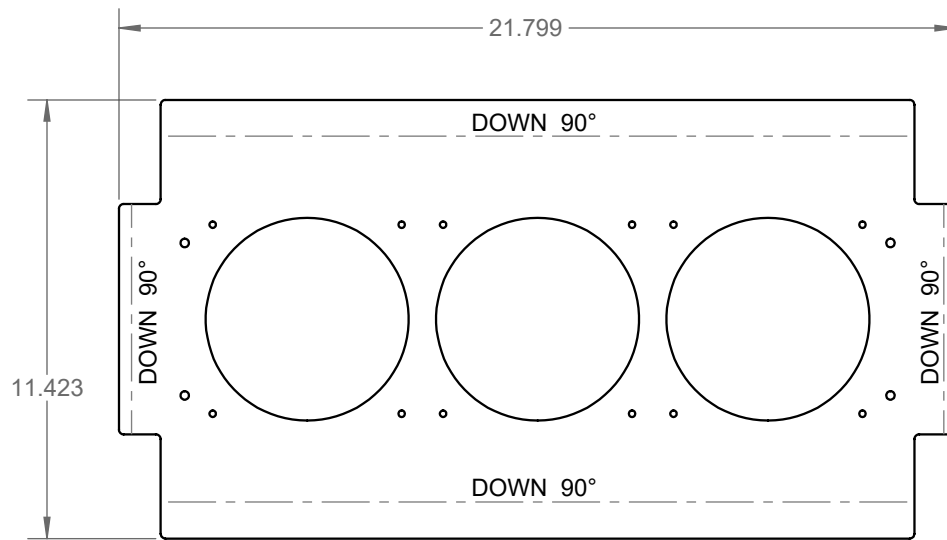
MATERIAL:	AL5052-060
NOTES/FINISH:	P.C. XP CARBON BLACK
	(BK50-XP63)
WEIGHT (lbs):	5.007
THIRD ANGLE PROJECTION	

TOL. IN INCHES	DRAWN:
X.X ±0.030	A.Torres
X.XX ±0.020	CHECKED:
X.XXX ±0.010	R.Brophy
ANGLE ±1.0°	DATE:
BENDS ±0.015	04/19/23
WELDS ±1/32	
HOLE DIA.	
X.XX ±0.010	
X.XXX ±0.005	
<small>PROPRIETARY PROPERTY OF GC CUSTOM METAL FABRICATION LTD. NOT TO BE REPRODUCED BY ANY MEANS OR USED BY OTHERS WITHOUT CONSENT OF GC CUSTOM METAL FABRICATION LTD. ALL RIGHTS RESERVED. COPYRIGHT 2011, GC CUSTOM METAL FABRICATION LTD.</small>	

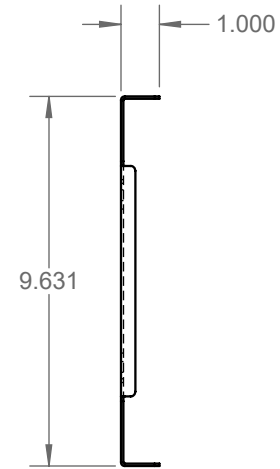


CUSTOMER:	COMCO PIPE & SUPPLY COMPANY	SHEET:	1 OF 4
PROJECT:	FILTRATION FRAME		
DESCRIPTION:	LAYOUT	SCALE:	1:6
DRAWING/PART#:	CPI-13445	REV	02

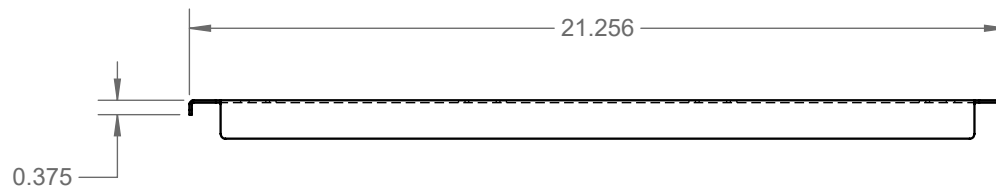




FLAT LAYOUT  
TOP PANEL  
1 PCE



END VIEW  
TOP PANEL



FRONT VIEW  
TOP PANEL

NOTES:  
1. ALL DIMENSIONS IN INCHES

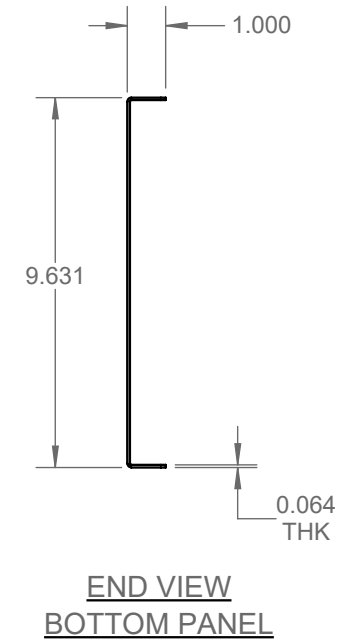
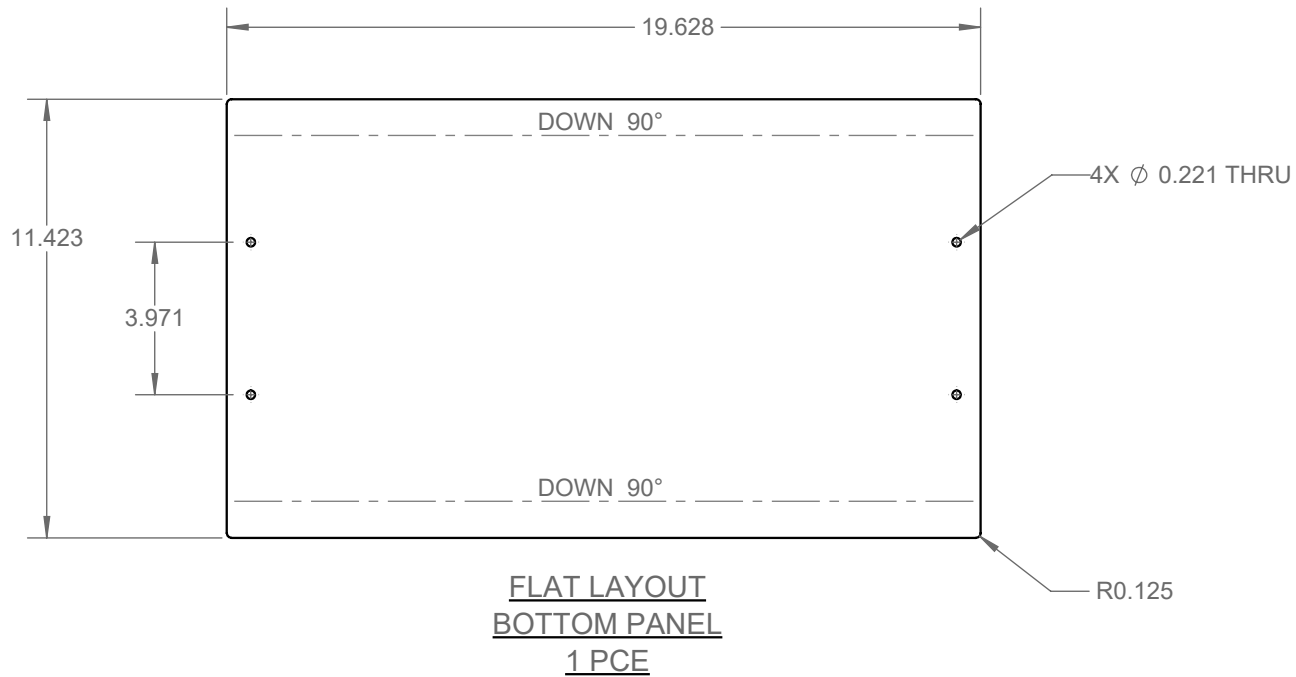
02	"UP" STENCIL; DOT PEEN REMOVED, HOLE IS 7/8" WAS 1/2"	02/02/24	a.torres
REV	REVISION DESCRIPTION	DATE	BY

MATERIAL:	AL5052-060
NOTES/FINISH:	P.C. XP CARBON BLACK
	(BK50-XP63)
WEIGHT (lbs):	5.007
THIRD ANGLE PROJECTION	

TOL. IN INCHES	DRAWN:
X.X ±0.030	A.Torres
X.XX ±0.020	CHECKED:
X.XXX ±0.010	R.Brophy
ANGLE ±1.0°	DATE:
BENDS ±0.015	04/19/23
WELDS ±1/32	
HOLE DIA.	
X.XX ±0.010	
X.XXX ±0.005	
<small>PROPRIETARY PROPERTY OF GC CUSTOM METAL FABRICATION LTD. NOT TO BE REPRODUCED BY ANY MEANS OR USED BY OTHERS WITHOUT CONSENT OF GC CUSTOM METAL FABRICATION LTD. ALL RIGHTS RESERVED. COPYRIGHT 2011, GC CUSTOM METAL FABRICATION LTD.</small>	



CUSTOMER:	COMCO PIPE & SUPPLY COMPANY	SHEET:	3 OF 4
PROJECT:	FILTRATION FRAME	DESCRIPTION:	SHOP DETAILS 2
DRAWING/PART#:	CPI-13445	SCALE:	1:5
REV	02		



**NOTES:**  
1. ALL DIMENSIONS IN INCHES

REV	REVISION DESCRIPTION	DATE	BY
02	"UP" STENCIL; DOT PEEN REMOVED, HOLE IS 7/8" WAS 1/2"	02/02/24	a.torres

MATERIAL: <b>AL5052-060</b>	
NOTES/FINISH: <b>P.C. XP CARBON BLACK</b>	
<b>(BK50-XP63)</b>	
WEIGHT (lbs): <b>5.007</b>	THIRD ANGLE PROJECTION

TOL. IN INCHES X.X ±0.030 X.XX ±0.020 X.XXX ±0.010 ANGLE ±1.0° BENDS ±0.015 WELDS ±1/32	HOLE DIA. X.XX ±0.010 X.XXX ±0.005
PROPRIETARY PROPERTY OF GC CUSTOM METAL FABRICATION LTD. NOT TO BE REPRODUCED BY ANY MEANS OR USED BY OTHERS WITHOUT CONSENT OF GC CUSTOM METAL FABRICATION LTD. ALL RIGHTS RESERVED. COPYRIGHT 2011, GC CUSTOM METAL FABRICATION LTD.	

DRAWN: <b>A.Torres</b> CHECKED: <b>R.Brophy</b> DATE: <b>04/19/23</b>		
CUSTOMER: <b>COMCO PIPE &amp; SUPPLY COMPANY</b>	SHEET: <b>4 OF 4</b>	
PROJECT: <b>FILTRATION FRAME</b>	DESCRIPTION: <b>SHOP DETAILS 3</b>	
DRAWING/PART#: <b>CPI-13445</b>	SCALE: <b>1:5</b>	REV: <b>02</b>